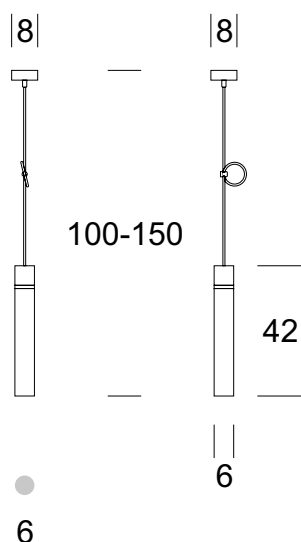




PENDANT LAMP PAR LUX



Luminaire data

Recommended light sources


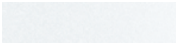


PRODUCT DESCRIPTION

Par Lux lamps are minimalist and elegant in design. This light and simple form allows for the right accents in the space. The lamps can be fitted with the Perfect Light SNAP System to create the colour and shape of the light output (Ra > 95%).

TECHNICAL DATA

| | |
|------------------------------|--------------------------------|
| Number of light sources | 1 |
| Voltage | 230 V |
| Source of light | Recommended: 1x 5,5 W LED GU10 |
| Optics | S |
| Light color | - |
| Protection class - selection | I |
| Degree of protection | IP20 |
| CE ∇ \oplus | Yes |
| Mounting | On the ceiling |

MATERIAL - FINISH - VARIANTS

| | |
|---------------|--|
| Body material | Metal/ wood |
| Metal colour |  Black |
| |  White |
| |  Brass |
| Wood colour |  Natural |
| Switching on | Switch in the wall |

LOGISTICS

| | |
|-----------|---|
| Packaging | a collective carton according to order individual carton |
| Weight | max. 1 kg |

