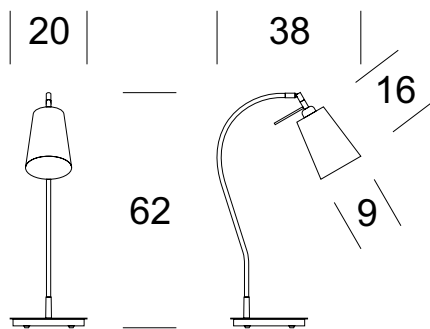




## STUDY LAMP CAPRICORN



Luminaire data

Recommended light sources

### PRODUCT DESCRIPTION

CAPRICORN lamp is an original proposal fits into houses and hotels. The unique shape gives it a unique character.

### TECHNICAL DATA

Number of light sources	1
Voltage	230 V
Source of light	Recommended: 1x E-14
Optics	<b>S</b>
Light color	-
Protection class	<b>I</b>
Degree of protection	IP20
CE	Yes
Mounting	-

### MATERIAL - FINISH - VARIANTS

Body material	Metal
Metal colour	 Inox Chrome
Lampshade material	Synetic fabric / PVC  White
Switching on	Switch in the wall

### LOGISTICS

Packaging	a collective carton according to order individual carton
Weight	max. 1 kg

