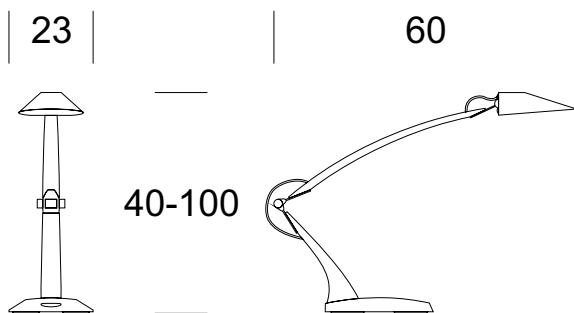




STUDY LAMP MATTI



Luminaire data

Recommended light sources

PRODUCT DESCRIPTION

Connecting the professional design with select materials and master's making gave the clean, tasteful and durable product. But and that's not all. Let us add the production process friendly to the environment and the high energy efficiency achieved by applying modern diode light sources to it. MATTI so just came into existence - new study lamp of the ElmarCo production.

TECHNICAL DATA

| | |
|------------------------------|---------------------------|
| Number of light sources | 1 |
| Voltage | 230 V |
| Source of light | Recommended: 1x 7,2 W LED |
| Optics | S |
| Light color | - |
| Protection class - selection | I |
| Degree of protection | IP20 |
| CE ∇ \oplus | Yes |
| Mounting | - |

MATERIAL - FINISH - VARIANTS

| | | |
|---------------|------------|---------|
| Body material | Metal/wood | |
| Metal colour | | Inox |
| | | Chrome |
| Wood colour | | Natural |
| | | Brown |
| | | Venge |

| | |
|--------------|----------|
| Switching on | On cable |
|--------------|----------|

